

RESIDENTIAL SINGLE FAMILY WATER SERVICE LINE INSPECTION POLICY:

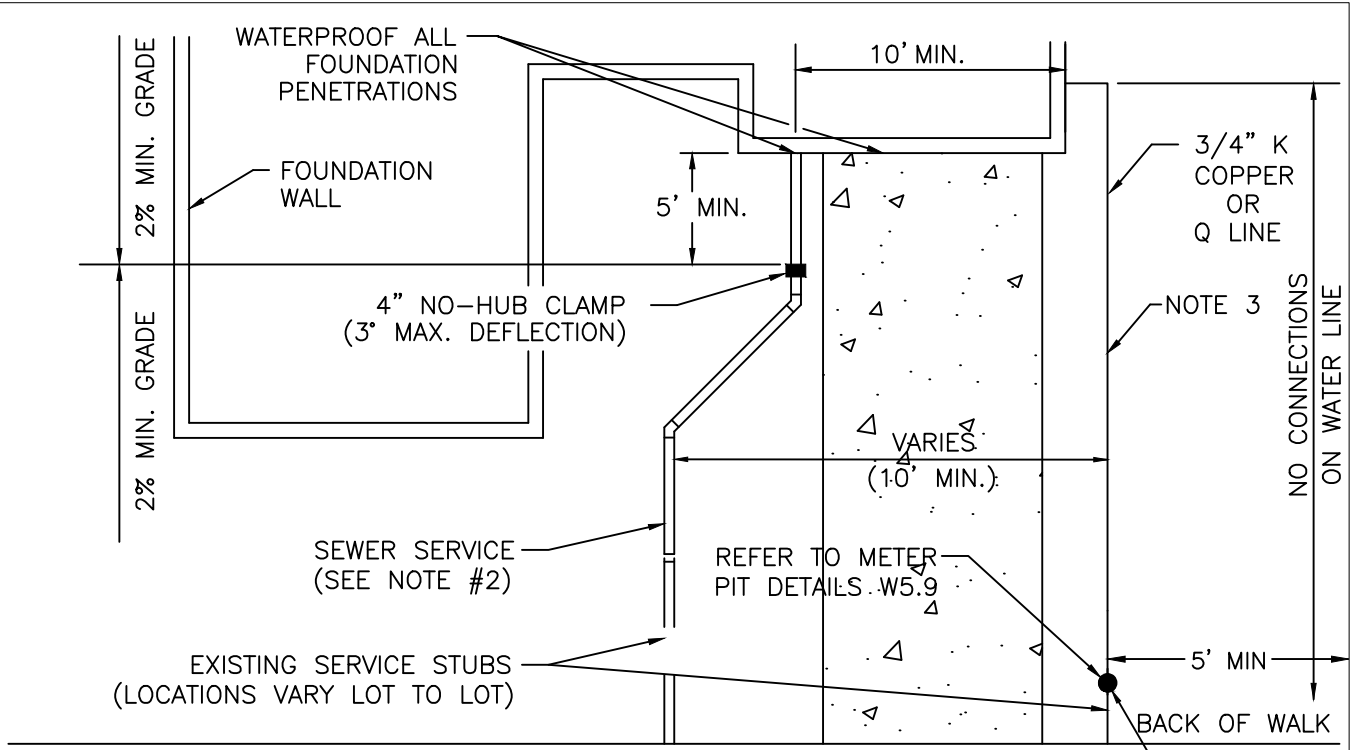
1. PRIVATE SINGLE FAMILY WATER SERVICE LINE INSPECTIONS SHALL BE PERFORMED BY A QUALIFIED THIRD PARTY IN ACCORDANCE WITH DISTRICT STANDARDS AND SPECIFICATIONS.
2. INSPECTIONS SHALL OCCUR FOLLOWING PROBATIONARY ACCEPTANCE.
3. APPLICABLE NOTICE OF PASSING INSPECTION SHALL BE PROVIDED TO THE DISTRICT PRIOR TO REQUEST FOR WATER METER SET.
4. SHOULD THE SERVICE LINES BE DAMAGED BY LATER CONSTRUCTION, AN INSPECTION OF THE REPAIR WILL BE REQUIRED IN ACCORDANCE WITH NOTE 1.
5. THE CONTRACTOR SHALL LEAVE ALL PIPES AND FITTINGS EXPOSED FOR THE INSPECTOR TO OBSERVE.
6. ALL EXCAVATIONS SHALL BE IN ACCORDANCE WITH OSHA STANDARDS.
7. COMMERCIAL AND MULTIFAMILY SEWER SERVICE LINES INSPECTIONS SHALL BE PERFORMED BY A PARKER WATER & SANITATION DISTRICT ENGINEERING DEPARTMENT INSPECTOR.

INSTALLATION NOTES:

WATER

1. ACCEPTABLE PIPE MATERIALS SHALL BE TYPE K COPPER TUBING OR Q LINE. TRACER WIRE IS REQUIRED ON ALL Q LINE. ALL SERVICES GREATER THEN 100LF FROM METER PIT OR CURB STOP TO THE ENTRY INTO THE FOUNDATION SHALL BE ONE CONTINUOUS PIECE OF Q-LINE WITHOUT FITTINGS FROM THE POINT OF CONNECTION TO INSIDE THE STRUCTURE.
2. APPROVED BEDDING TO BE SQUEEGEE WITH NO VOIDS FROM STOP BOX TO FOUNDATION.
3. ONLY ONE COUPLING WILL BE ALLOWED BETWEEN THE STUB-IN AND BUILDING. THIS SHALL EITHER BE A FLARE OR COMPRESSION COUPLING. SILVER SOLDERED JOINTS MUST BE USED ON SERVICES LARGER THEN 1". SILVER SOLDERED JOINTS MUST BE INSPECTED BY 3RD PARTY PRIOR TO BURIAL.
4. WATER SERVICE LINE TEST SHALL BE PERFORMED AT EITHER THE SERVICE WORKING PRESSURE OR 50 PSI AIR TEST. APPROVED PWSD IDLER BAR SHALL BE INSTALLED FOR PRESSURE TEST (IDLER BAR PART# FORD IDLER-2-NL).
5. WATER SERVICE FOUNDATION PENETRATIONS SHALL BE WATERPROOFED USING MASTIC OR OTHER APPROVED METHOD. CRAWL SPACE REQUIRES CONTINUOUS COPPER WITH A 1' BURY.
6. CURB STOP MUST BE PLUMB AND CENTERED OVER THE NUT. IT SHOULD BE STRAPPED TO THE METER PIT (RESIDENTIAL INSTALLATIONS) OR CENTERED OVER THE EASEMENT LINE (COMMERCIAL INSTALLATIONS). THE ASSEMBLY MUST BE AT OR SLIGHTLY ABOVE FINISHED GRADE.
7. MOVED CURB BOXES AND OR METER PITS MUST BE APPROVED BY PWSD PRIOR TO MOVING AND BURIAL.
8. CURBSTOP BOXES AND METER PITS SHALL NOT BE IN DRIVEWAYS.
9. ONLY 3/4" OR 1" (DEPENDING ON SERVICE SIZE) PWSD APPROVE IDLER BARS ARE ALLOWED. IDLER SHALL BE REMOVED PRIOR TO METER SET INSPECTION.
10. ALL SERVICES WILL BE PERMANENTLY MARKED ON CURB FACE WITH "V" FOR WATER SERVICES.

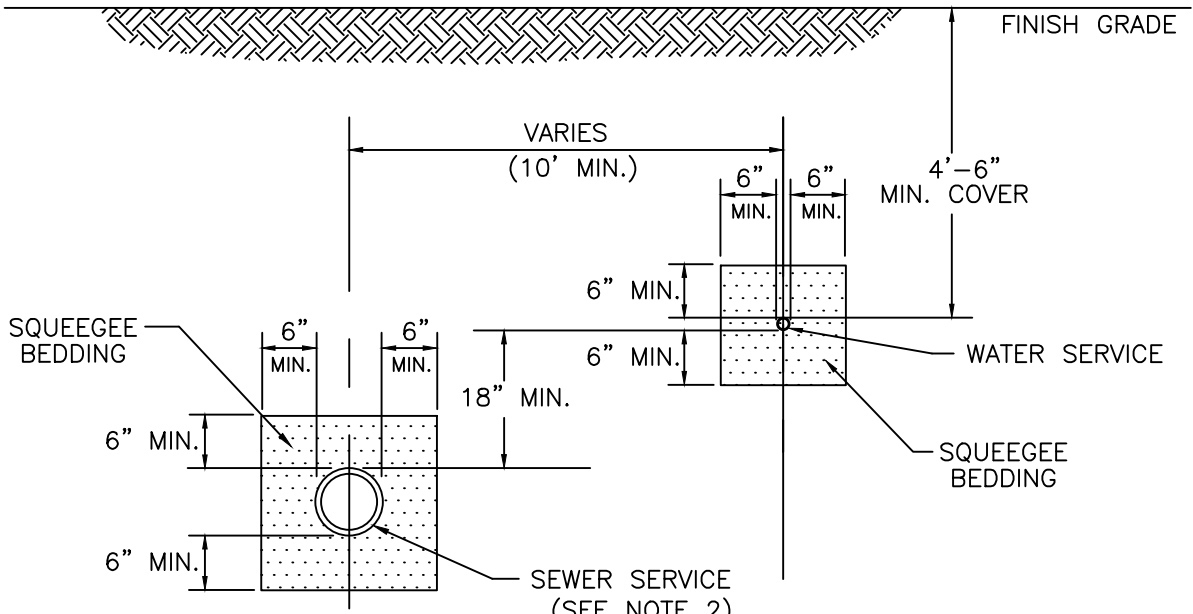
| | |
|---|--|
| PARKER WATER & SANITATION DISTRICT | |
| DISTRICT POLICIES & INSTALLATION NOTES FOR RESIDENTIAL SINGLE FAMILY WATER SERVICES | |
| SCALE: <u>NONE</u> | DATE: <u>2/96</u> |
| APPROVED: <u>RWT</u> DIRECTOR OF ENGINEERING | 1/04 1/19 1/16 12/19 10/16 |



TYPICAL SERVICES PLAN VIEW

NTS

CURB STOP BOX MUST TOUCH FRONT OF METER PIT AND BE STRAPPED TO THE PIT



TYPICAL SERVICES SECTION

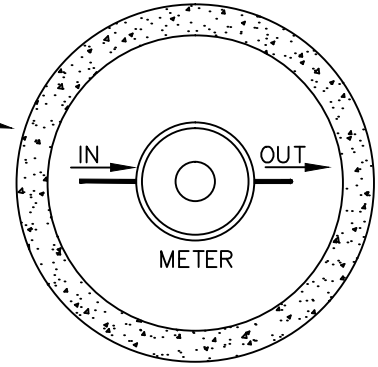
NTS

NOTE

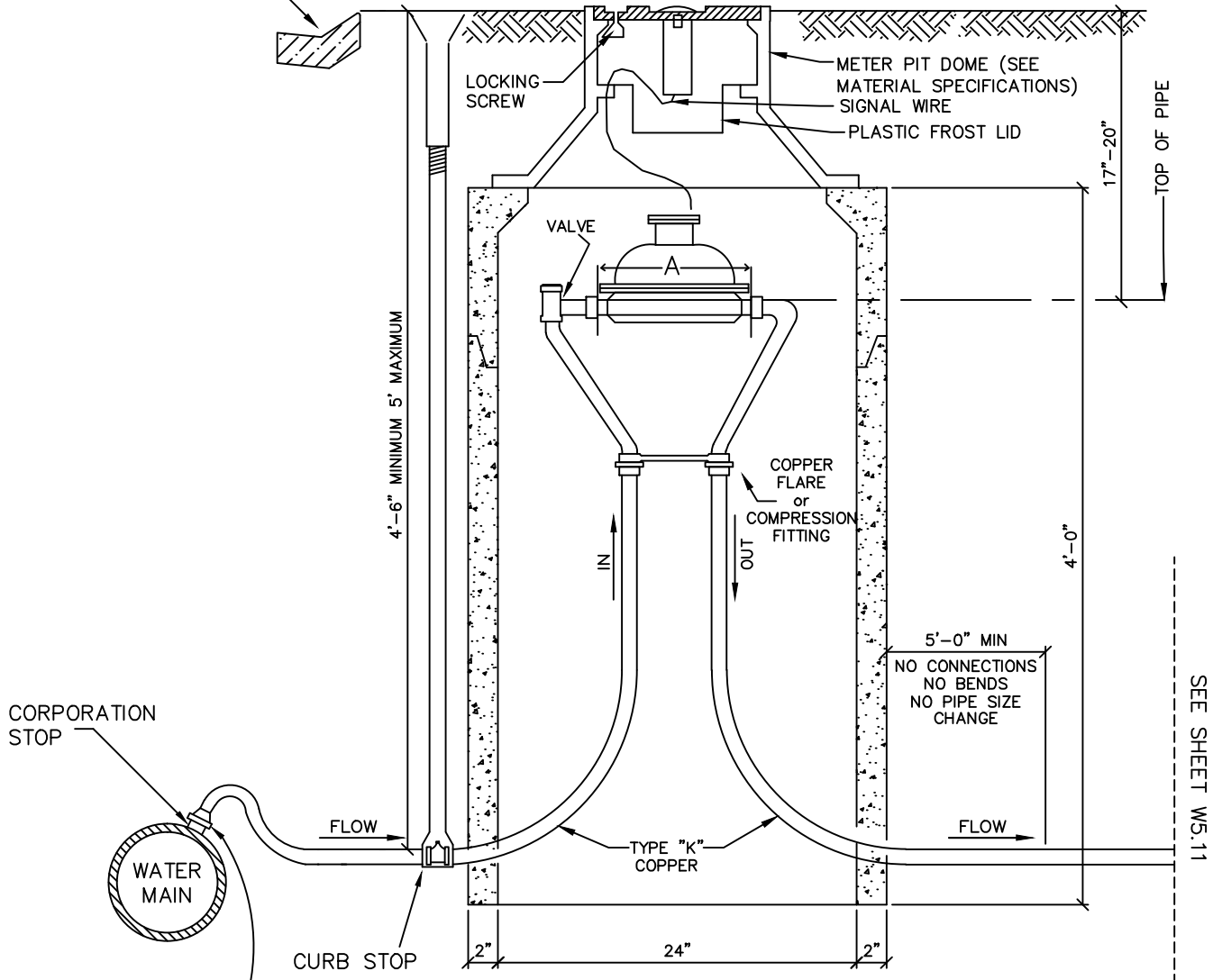
1. SEE SHEET W1.1 FOR DISTRICT POLICIES AND INSTALLATION NOTES.
2. REFER TO SEWER SERVICES DETAIL SHEET S1.2.
3. 4" PVC SLEEVES REQUIRED FOR SERVICE LINES UNDER CONCRETE SURFACE.
4. LOCATOR WIRE REQUIRED ON Q LINE FROM THE METER PIT TO INSIDE THE FOUNDATION.
5. SLEEVE FOR WATER SERVICES UNDER DRIVEWAYS.

| | |
|---|---|
| PARKER WATER & SANITATION DISTRICT | |
| TYPICAL WATER SERVICES | |
| SCALE: <u>NONE</u> | DATE: <u>2/96</u> |
| APPROVED: RWT DIRECTOR OF ENGINEERING | 1/04 10/16 06/05 1/20 12/07 1/16 |

SINGLE SETTER METER YOKES



CURB AND GUTTER PERMANENTLY MARKED WITH A "V"



CORPORATION STOP



CURB STOP

INSULATING COUPLING REQUIRED WITH METALLIC WATER MAINS

| | |
|------------|---------|
| METER SIZE | A |
| 3/4" | 9" |
| 1" | 11 1/4" |

PARKER WATER & SANITATION DISTRICT

RESIDENTIAL ALL OUTSIDE SETTINGS FOR 3/4" & 1" METERS

| | |
|-------------------------|--|
| SCALE: NONE | DATE: 2/96 |
| APPROVED: RWT | 01/04 01/16 06/05 10/16 01/08 05/21 01/12 |
| DIRECTOR OF ENGINEERING | |